

# Environment - Friendly Product

Model No. GIFT-2009 3C Gift Set

Easy to use • Save your money • Love the Earth

**Special Offer**



2 pcs BB448 Battery Box



4 pcs RAA800

Ready to use batteries  
AAA 1.2V 800mAh



4 pcs RAA2100

Ready to use batteries  
AA 1.2V 2100mAh



1 set CHG2000PDSC

Smart Fast Battery Charger  
UL • CUL • CE approved  
100% made in Taiwan  
more than 600,000 sets sold



HOTGIANT CO., LTD  
驊果實業有限公司  
<http://hotgiant.pixnet.net/blog>

Tel: (886 2) 22988931  
Fax: (886 2) 22989040  
6F-4 No 7, Wuchuan 1st Rd, Hsinchuang, Taipei, Taiwan 242  
Email: a888hub.giant@msa.hinet.net  
Skype: hubgiant-2

**Boundless+****HOTGIANT CO.,LTD.**<http://hotgiant.pixnet.net/blog>6F-4, No.7, Wuchuan 1<sup>ST</sup> Rd., Hsinchuang, Taipei 242, Taiwan

Tel:[886] 2-2298-8931 Fax:[886] 2-2298-9040 E-mail: a888hub.giant@msa.hinet.net

## Product Introduction

### CHG2000PDSC Smart Fast Charger

#### Features

- ◎ The compact AC direct plug in quick switching Charger can full charge 4 or 2 AA/AAA size Ni-MH / Ni-Cd rechargeable battery.
- ◎ **Universal input** : AC 100 - 240V
- ◎ **Fast and safe**—Charges AA cells in two to three hours or less, each of two channels are at 800~1000mA charging current.
- ◎ **Easily carry**—Direct plug in foldable US flat plugs.  
Easily to fits in a camera bag or pocket.  
**No adapter or cable required.**
- ◎ **Smart**—Microprocessor controlled charger with overcharging and overheating controls and safety protections to extend battery life.
- ◎ **Low Temperature**  
Charges battery at low temperature to optimizing battery life.
- ◎ **Charging/discharging function.**  
charging current : 800~1000mA x2  
discharging current : 300mA x2
- ◎ **Compact size and lightweight.**  
Physical size : 11cm(L) x 6.5cm(W) x 3cm (H).  
weight : 148 gm.
- ◎ 100% made in Taiwan, UL / CUL / CE approval
- ◎ **Soonest lead time: 1 ~ 4 weeks**



## Hotgiant Co.,Ltd.

<http://hotgiant.pixnet.net/blog>[a888hub.giant@msa.hinet.net](mailto:a888hub.giant@msa.hinet.net)

TEL: +886-2-2298-8931

FAX: +886-2-2298-9040

Charles Huang

charhuan@yahoo.com.tw SKYPE: hubgiant-2

# Boundless+

**HOTGIANT CO.,LTD.**
<http://hotgiant.pixnet.net/blog>

 6F-4, No.7, Wuchuan 1<sup>ST</sup> Rd., Hsinchuang, Taipei 242, Taiwan

Tel:[886] 2-2298-8931 Fax:[886] 2-2298-9040 E-mail: a888hub.giant@msa.hinet.net

**Model No. RAA2100**
**R50AA2100 Ready to use battery cell**

Rechargeable Ni-MH cylindrical cell

Measurement and Dimensions

D	13.8 ~ 14.5mm
D1	4.65 ~ 4.85mm
H	49.5 ~ 50.5mm
H1	1.20 ~ 1.40mm
Weight	Approx 28.0 gm

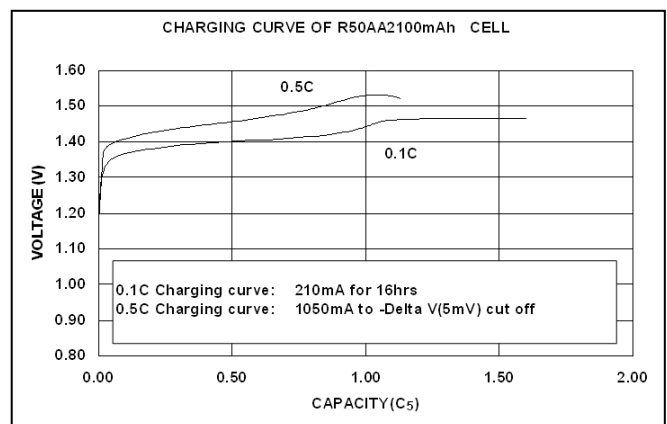
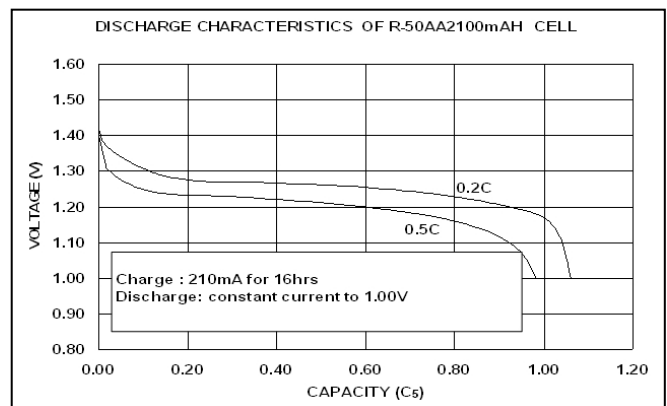
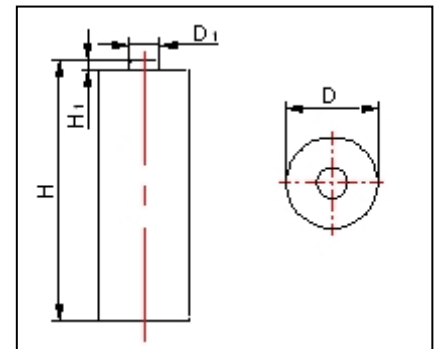

**Specification**

Nominal Voltage		1.2V	
0.2C Discharge capacity (Note-1)	Typical (Note-2)	2100mAh	
	Nominal	2050mAh	
	Minimum	2000mAh	
Charge	Standard	210mA for 14 to 16Hr.	
	Fast	Up to 1050mA x135min -delta 5mV or dT/dt controlled ( Note-3)	
Self Discharge	For180days <20°C	Capacity > 85%	
	For360days <20°C	Capacity > 80%	
Life Expectancy		1000 cycles	
Operating Temp.	Charge	Standard	0 ~ 45°C
		Fast	10 ~ 45°C
	Discharge		-10 ~ 55°C
	Storage	< 1year	-20 ~ 35°C
<3months		-20 ~ 45°C	

Note-1 After charging for 16Hr. with 0.1C

Note-2 Average capacity

Note-3 10mV or 1°C per min



**Boundless+**
**HOTGIANT CO.,LTD.**
<http://hotgiant.pixnet.net/blog>

 6F-4, No.7, Wuchuan 1<sup>ST</sup> Rd., Hsinchuang, Taipei 242, Taiwan

Tel:+886-2-2298-8931

Fax:+886-2-2298-9040

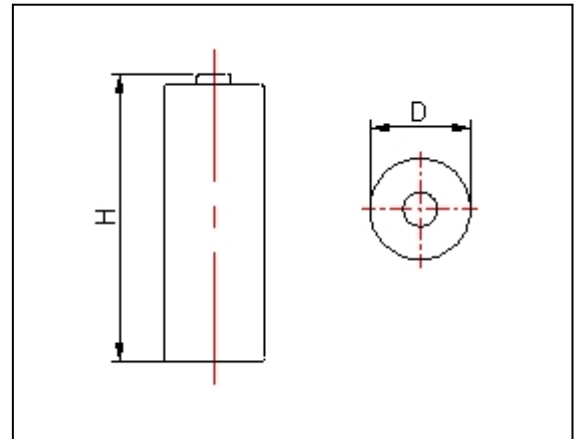
E-mail: a888hub.giant@msa.hinet.net

**Model No. RAAA800**
**R44AAA800mAH Ready to use battery cell**

Rechargeable Ni-MH cylindrical cell

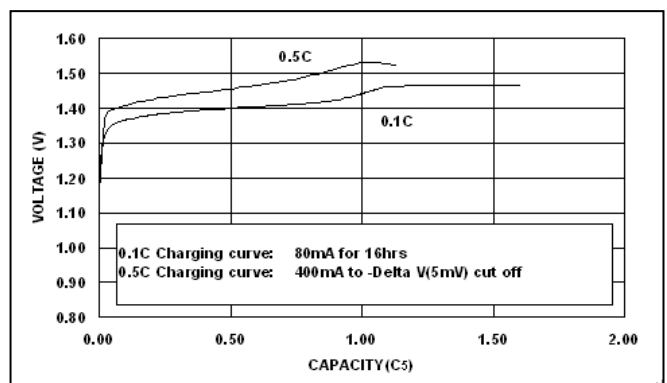
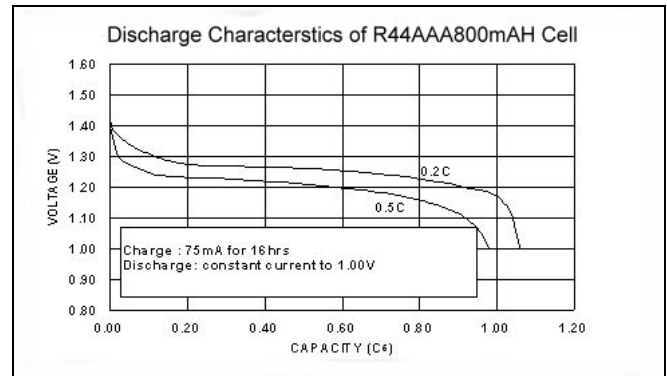
## Measurement and Dimensions

D	10.0 ~ 10.5mm
H	43.5 ~ 44.5mm
Weight	Approx 12.0 gm



## Specification

Nominal Voltage		1.2V	
0.2C Discharge capacity (Note-1)	Typical (Note-2)	800mAH	
	Nominal	800mAH	
	Minimum	770mAH	
Charge	Standard	80mA for 14 to 16Hr.	
	Fast	Up to 400mA x144min -delta 5mV or dT/dt controlled ( Note-3)	
Self Discharge	For180days <20°C	Capacity > 85%	
	For360days <20°C	Capacity > 80%	
Life Expectancy		1000 cycles	
Operating Temp.	Charge	Standard	0 ~ 45°C
		Fast	10 ~ 45°C
	Discharge		-10 ~ 55°C
	Storage	< 1year	-20 ~ 35°C
<3months		-20 ~ 45°C	



Note-1 After charging for 16Hr. with 0.1C

Note-2 Average capacity

Note-3 10mV or 1°C per min

## BB448 AA / AAA Battery Case



### PRODUCT FEATURES :

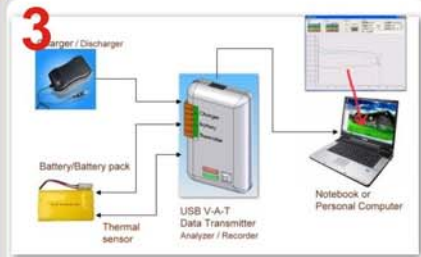
- For storing AA or AAA size battery.
- Any chemistry of battery is acceptable.
- At most 4 battery cells to be stored.
- AA and AAA size battery cells can be mixed together.
- With hanging hole for shop retailing and travel carrying.
- Can be sold in different packages. For example, " Box only, Box with battery cells, and etc.. "
- Request for logo printing is acceptable. Customers have to provide design file and pay the fee of printing molds and labor cost of logo printing.

### PRODUCT SPECIFICATION :

- **Battery Chemistry** : Any kind
- **Battery Size** : AA or AAA
- **Cells to be Stored** : 4
- **Material of Box** : PE
- **Physical Size** : 6.5 (L) x 5.5 (W) x 2.1cm (H)
- **Weight** : 15.2 gm

# Welcome ODM, OEM

- (1) 1.2V - 14.4V NiMH charger
- (2) Smart battery charger for NiMH--CHG700DF
- (3) USB V-A-T data transmitter / tester / analyzer
- (4) Wave De-Activator Plus
- (5) Smart battery charger for External battery--CHA300
- (6) AA/AAA Battery case
- (7) 2-hour AA/AAA, DC input NiMH cCHG700DC
- (8) Combo charger ( With dis-charger )
- (9) 3.6V - 14.8V Lithium battery charger
- (10) 2-hour AA/AAA NiMH charger--CHG2000PDSC
- (11) 1.2V - 14.4V NiMH charger--CHA100MA
- (12) READY-TO-USE Battery--2100mAh/800mAh



HOTGIANT CO., LTD  
驊果實業有限公司  
<http://hotgiant.pixnet.net/blog>

Tel: (886 2) 22988931  
Fax: (886 2) 22989040  
6F-4 No 7, Wuchuan 1st Rd, Hsinchuang, Taipei, Taiwan 242  
Email: a888hub.giant@msa.hinet.net  
Skype: hubgiant-2